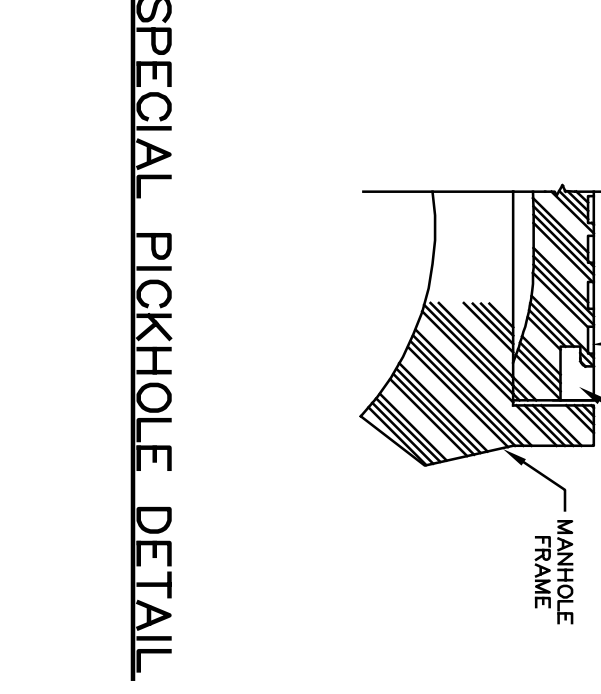
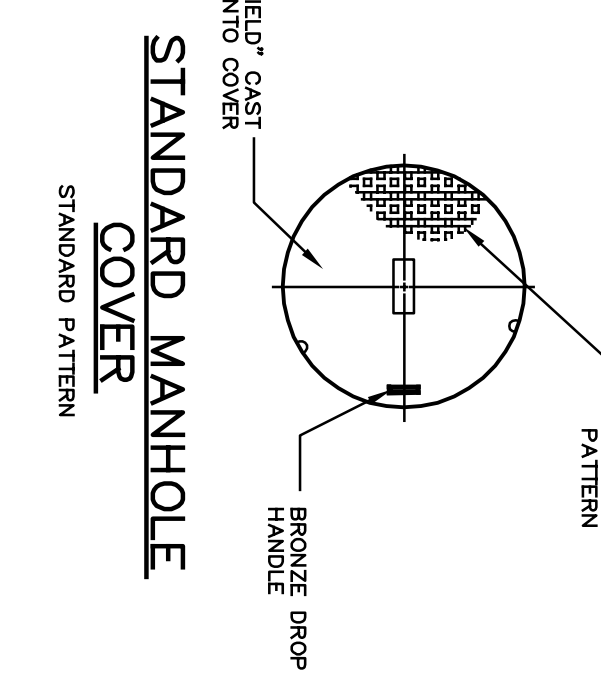
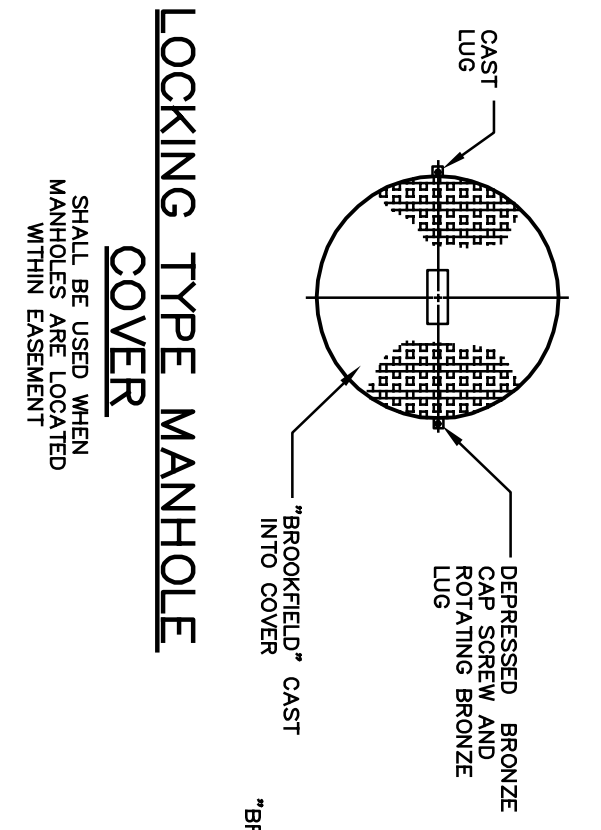
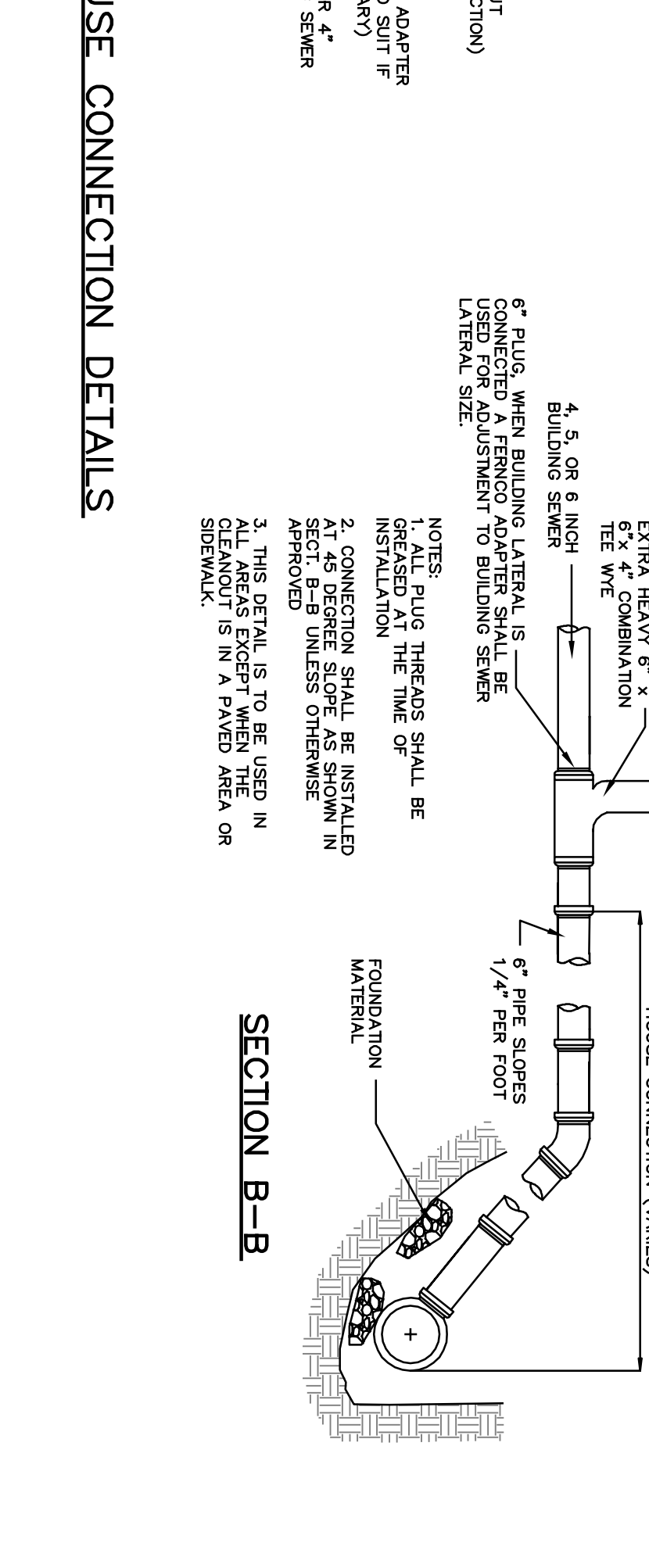
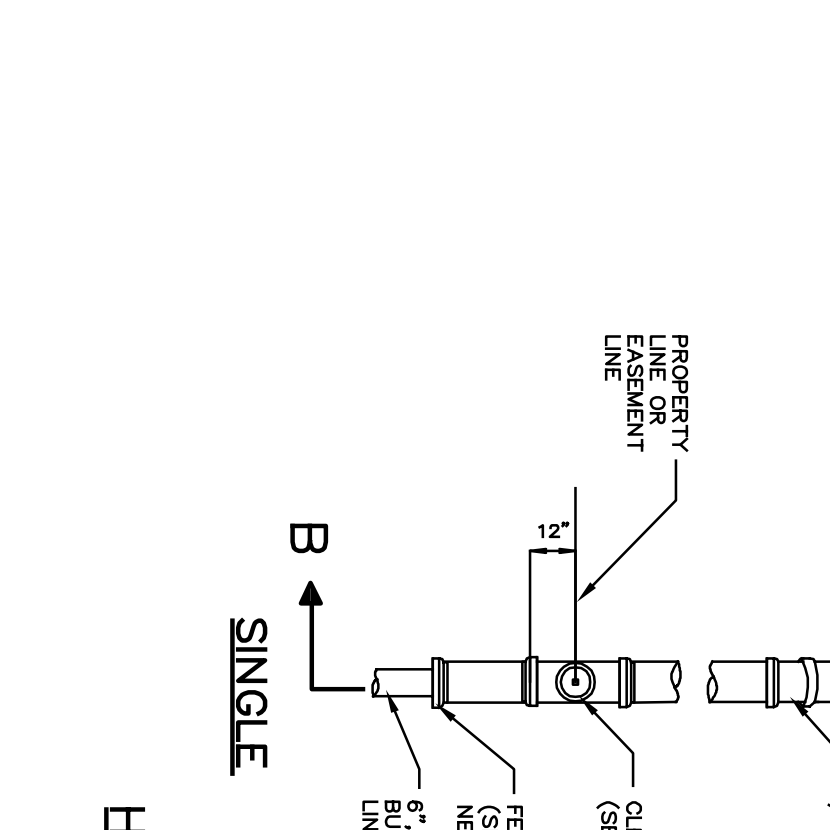
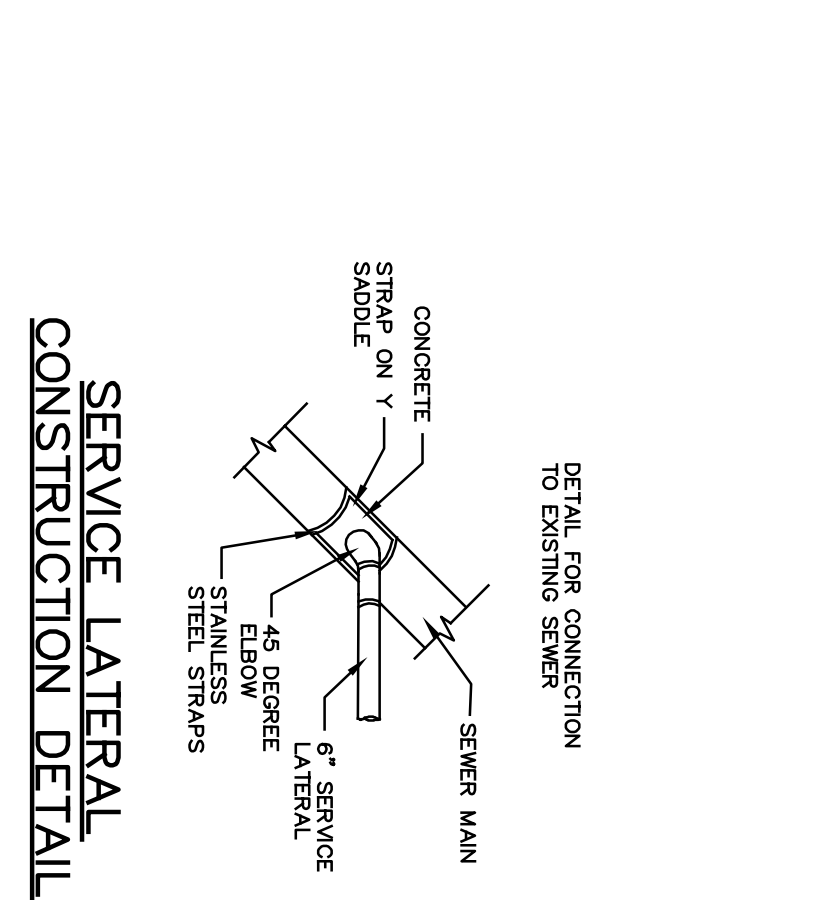
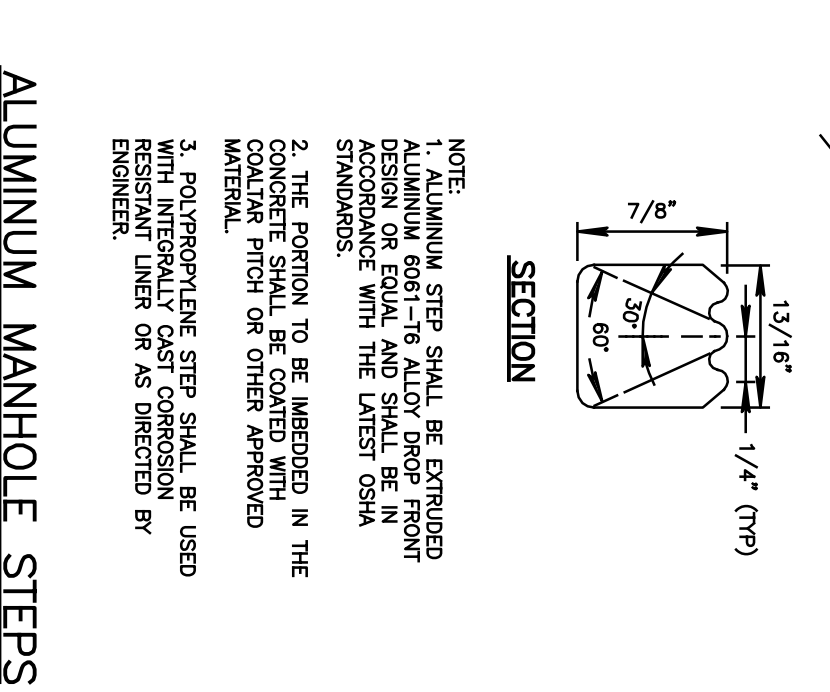
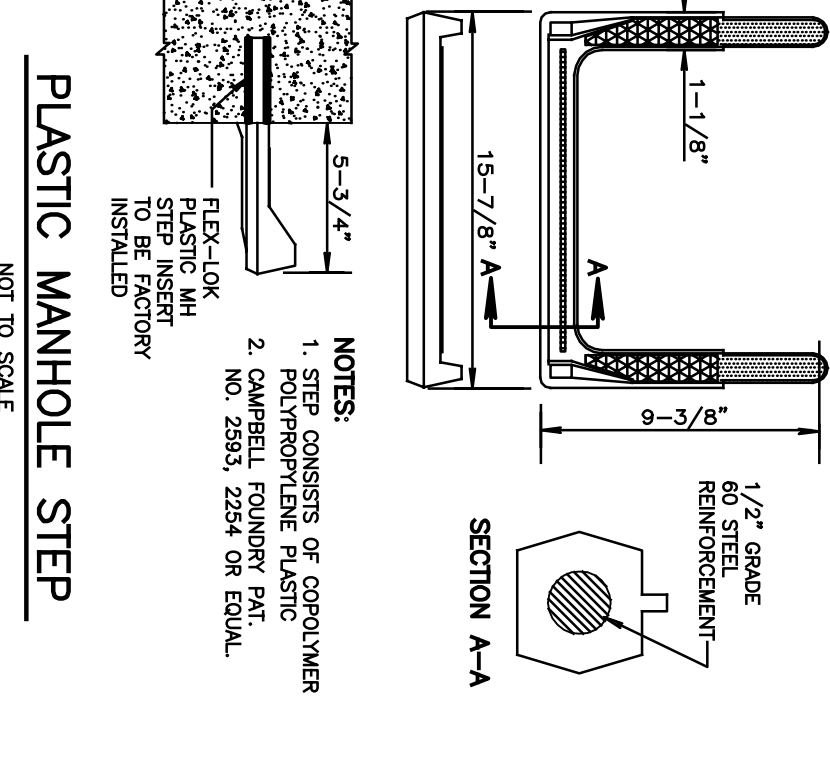
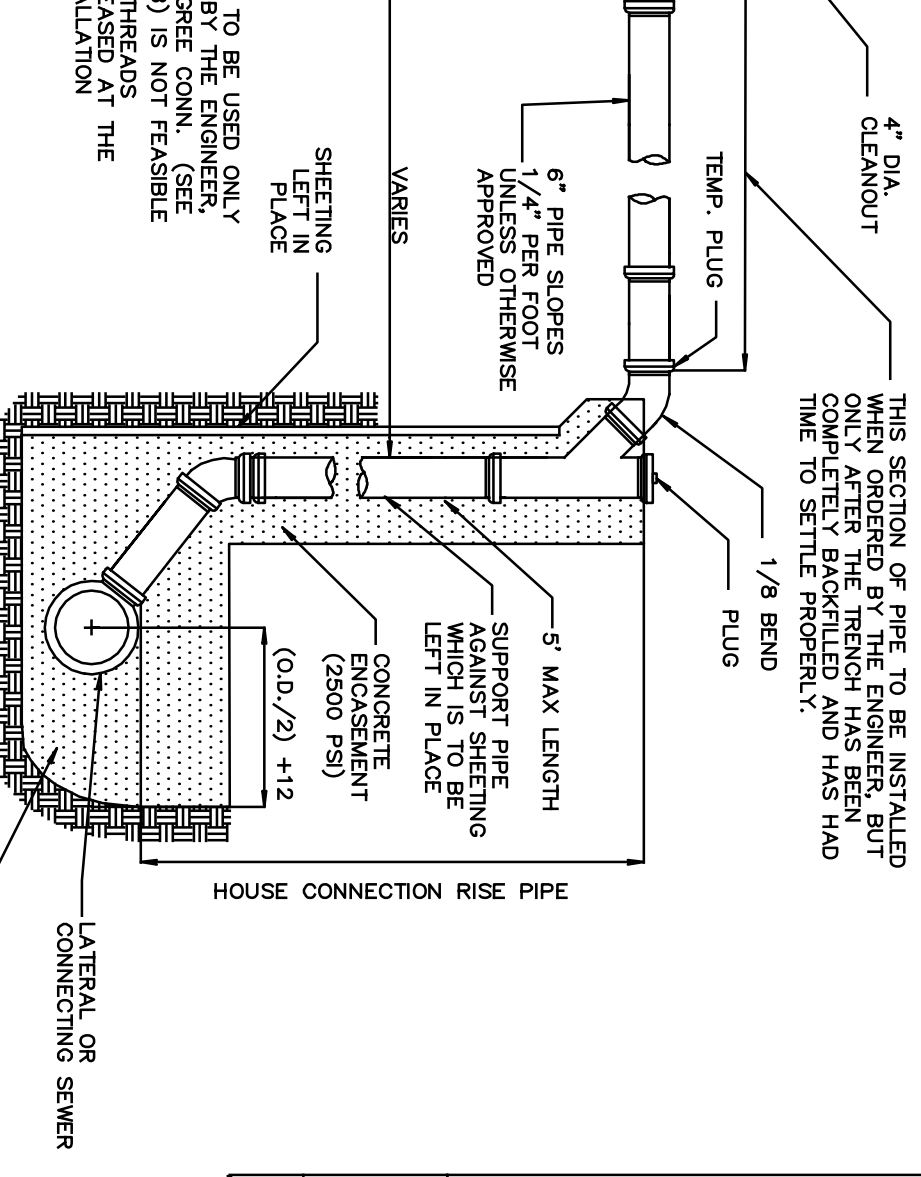
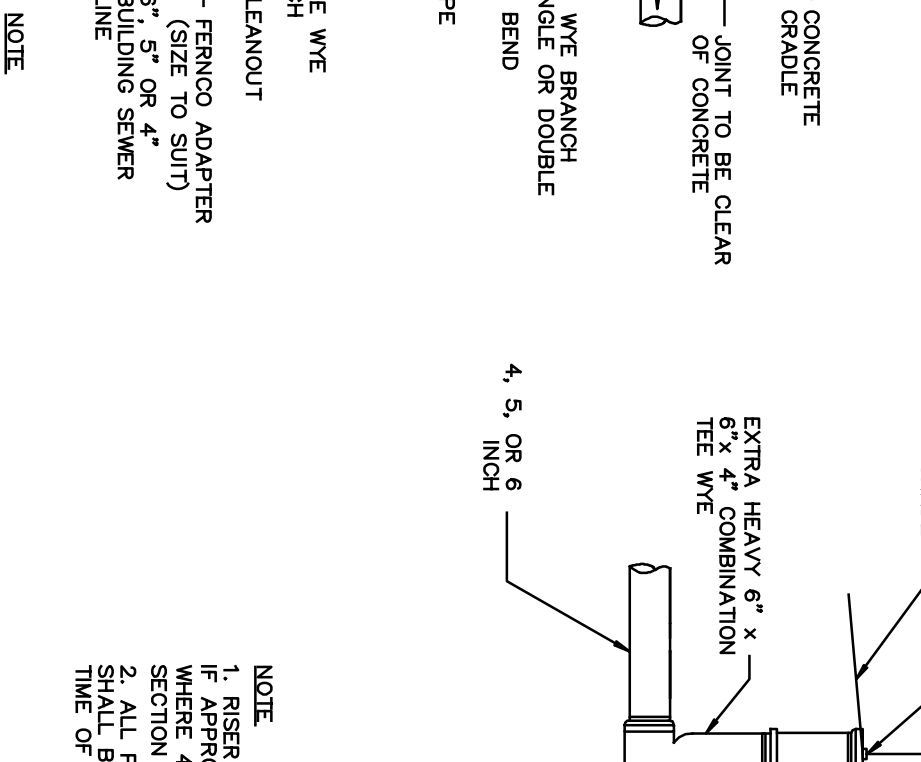
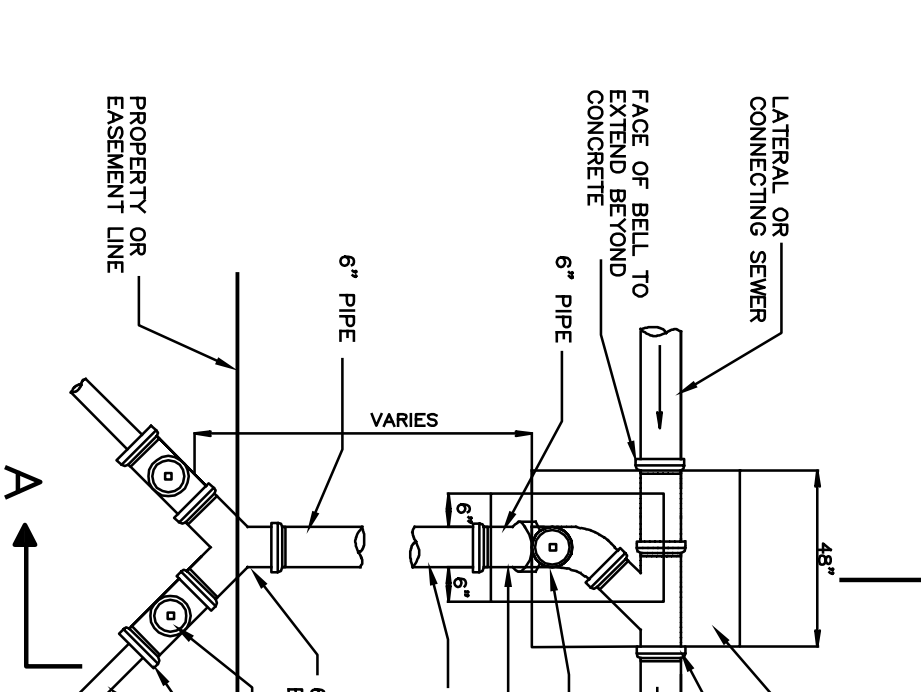
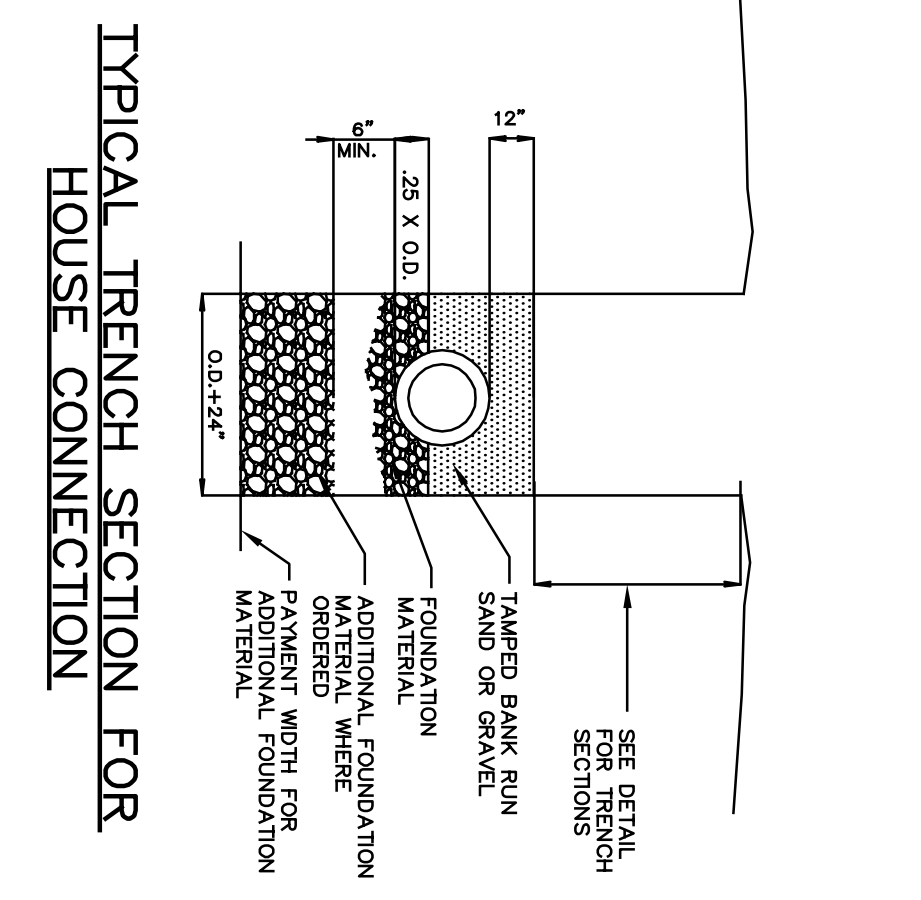
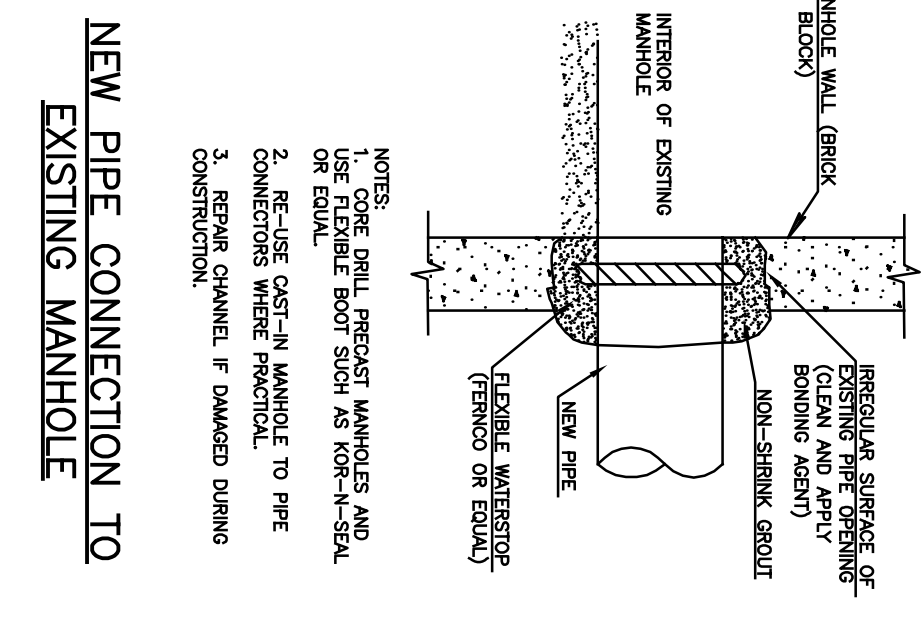
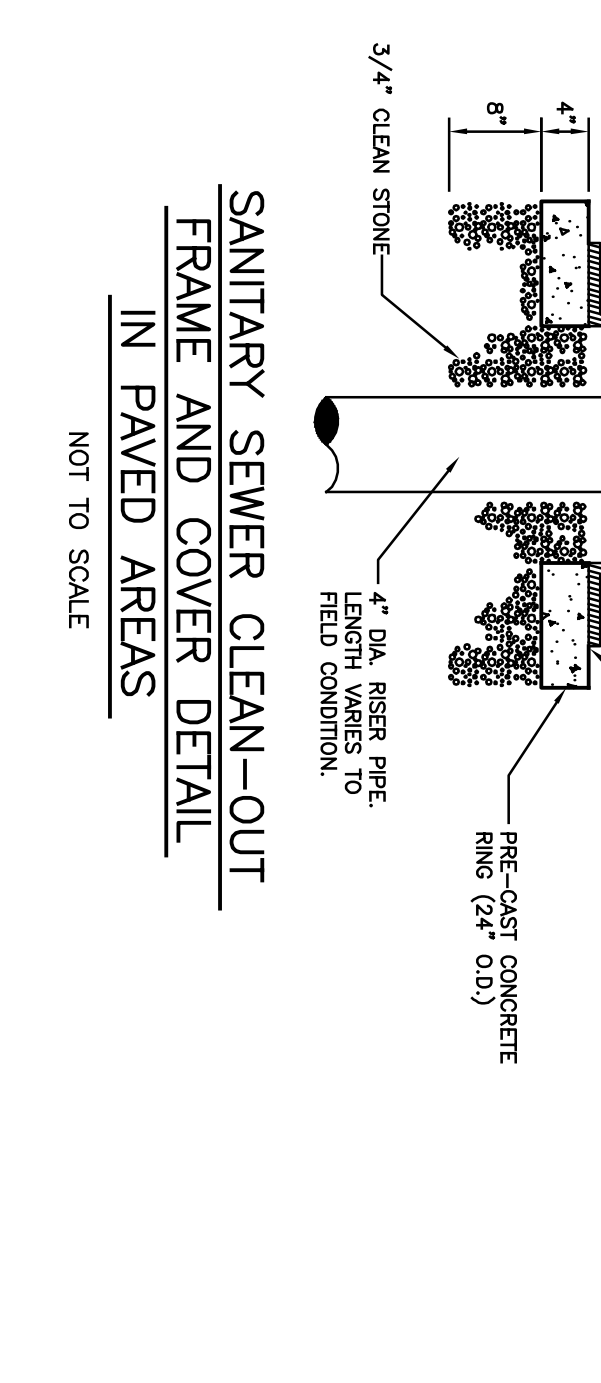
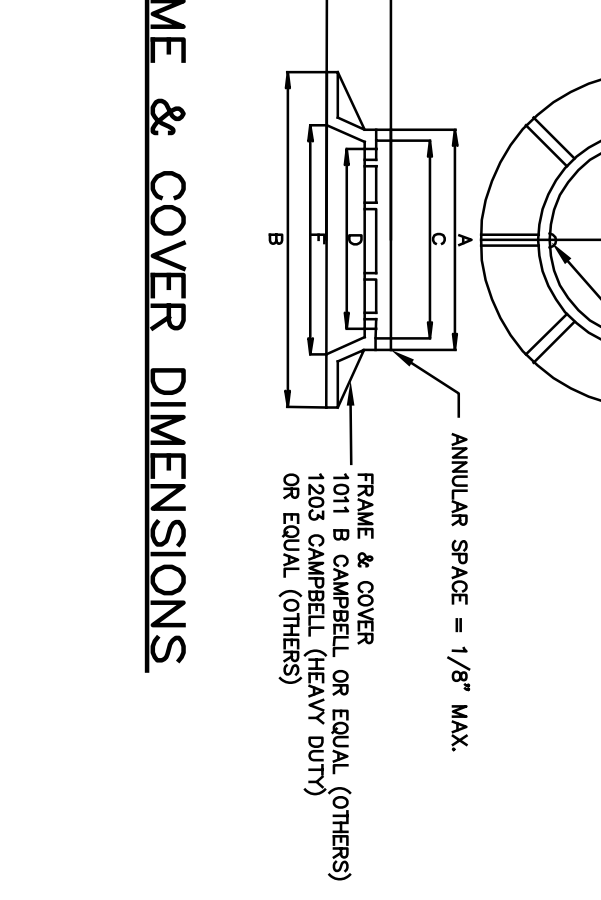


THIS METHOD CANNOT BE USED IF DIFFERENCE BETWEEN TOP OF CHUTE AND TOP OF CONNECTION IS GREATER THAN TWO FEET.



NOTE: SEATING SURFACE OF MANHOLE FRAME & COVER SHALL BE MACHINED TO FIT. NON COVERING SHALL BE PROPERLY CLEANED AND APPLIED BY MANSION.



THESE PLANS OF "STANDARD CONSTRUCTION DETAILS" ACCOMPANY THE ADOPTED RULES AND REGULATIONS OF THE WATER POLLUTION CONTROL AUTHORITY, TOWN OF BROOKFIELD, CONNECTICUT, DATED MARCH 2010.

NO.	DATE	REVISION	DRAWN	CHKD	RELD

Bsg BIRDSALL SERVICES GROUP
 ENGINEERS & CONSULTANTS

BIRDSALL ENGINEERING, INC.
 611 INDUSTRIAL WAY WEST
 EASTONTOWN NJ 07724
 CHESTER CT AUTHORIZATION NO. 24GA27989800

Tel: 732.380.1700
 Fax: 732.380.7001
 WWW.BIRDSALL.COM

DATE: _____
JAY T. PISCO, P.E.
 PROFESSIONAL ENGINEER
 CT. Lic. No. 25817

WPCA
 P.O. BOX 5106
 BROOKFIELD
 FAIRFIELD COUNTY
 CONNECTICUT

STANDARD CONSTRUCTION DETAILS
 WATER POLLUTION CONTROL AUTHORITY
 BROOKFIELD, CONNECTICUT

Job No. 200046450001	Scale 1/4" = 1'-0"
Sheet No. 2	Of 1
Checked: DJR	Designed: DJR
Revised: DJR	Drawn: DJR
Date: 01/08/10	Drawn Number: